

BT-191XR

1GE+CATV XPON ONU Product Specification

BT-191XR model ONU is a user terminal device independently developed by BTPT in line with such industrial background. The device has built-in two-layer switching function. It is compact and compact, and is an FTTH optical network unit with high performance and low power consumption. BT-191XR ONU can automatically switch EPON/GPON working mode and can be used in EPON/GPON network, which is very suitable for the application requirements of various data services in FTTH networking scenarios of various operators.



Features:

- GPON working mode Compliance with IEEE 802.3ah & itu-t g.984.x standard
- GPON:8 T-CONTs,32 GEM Ports
- EPON working mode compliant with IEEE 802.3ah specification and OAM protocol
- Supports the WEB configuration function
- Layer 2 Switching, support 802.1Q VLAN, 802.1P QOS, Bandwidth Control, Spanning Tree, etc
- Layer 3 Home Gateway/CPE features with Hardware
- NAT, supports Route mode, etc
- Supports the configuration of Ethernet interface rates, working modes,MDI/ MDIX auto-negotiation mode, and Pause flow control
- Provides performance statistics on all Ethernet lines
- Support multicast IGMP snooping
- Supports the L2 wire speed forwarding
- Supports the AES-128 algorithm for data encryption of downlink data
- Support CATV interface for Video Service

Highlights:

- **Compatible with 95% Third-party OLTs (Including Huawei/ZTE/Fiberhome/BT-PON and so on)**
- Support EPON/GPON mode and switch mode automatically
- **Support Route PPPoE/DHCP/Static IP and Bridge mode**
- Support ONU auto-discovery/Link detection/remote upgrade of software
- Support IPv4/IPv6 dual mode
- Support Firewall function and IGMP multicast feature
- Support LAN IP and DHCP Server configuration
- Support Port Forwarding and Loop-Detect

Hardware Specifications

- Size: 90*90*24mm
- Optical signal access: EPON/GPON
- User interface: 1GE+CATV
- Indicator light: POWER/PON/LOS/LAN/CATV
- Button: Power switch Button, Reset Button
- Weight: 95g
- Power adapter input: 100V~240V AC, 50Hz~60Hz
- PowerSupply requirement: 12V DC, 0.5A
- Power consumption: <6w
- Working temperature: -10°C ~ +45°C
- Environment humidity: 5% ~ 95% (Non-condensing)

Ethernet Interface

- Interface type: 1* RJ45
- Interface parameters: 1*10/100/1000Mbps

Product Packing Size

Package included:



- ONU * 1 PC
- Power adaptor *1 PC
- Manual *1 PC
- Box *1 PC

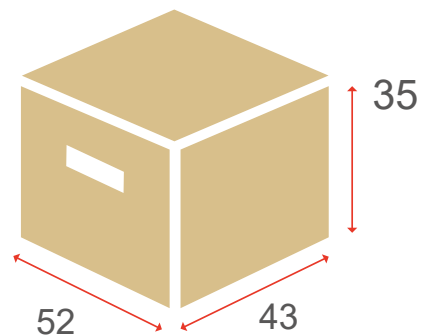
PON Interface

- Module type: Class B+ SC/APC
- Working wavelength: up 1310nm, down 1490nm ;CATV: 1550nm
- TX Optical power value: 0.5~4dbm
- RX Optical power sensitivity: -28dBm
- Transmission distance: 0~20km
- Transmission rate:
GPON:Up 1.244Gbps; down 2.488Gbps
EPON:Up 1.244Gbps; down 1.244Gbps

CATV Interface

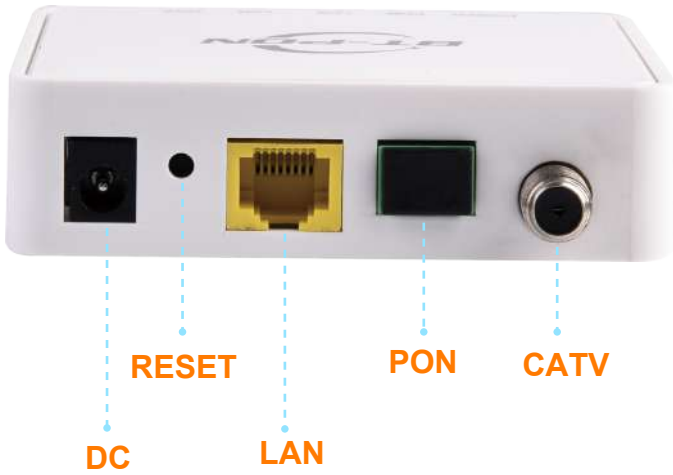
- Optical receiving wavelength: 1550±10nm
- Optical reflection loss: ≥45dBm
- RF, WDM, optical power: +2~-15dBm
- RF frequency range: 47~1000MHz, RF output impedance: 75Ω
- RF: output level 78dBuV
- AGC range: 0~-12dBm
- MER: ≥32dB@-15dBm

Packing list:



- 80pcs/Carton
- measurement: 52*43*35cm,18.5kg

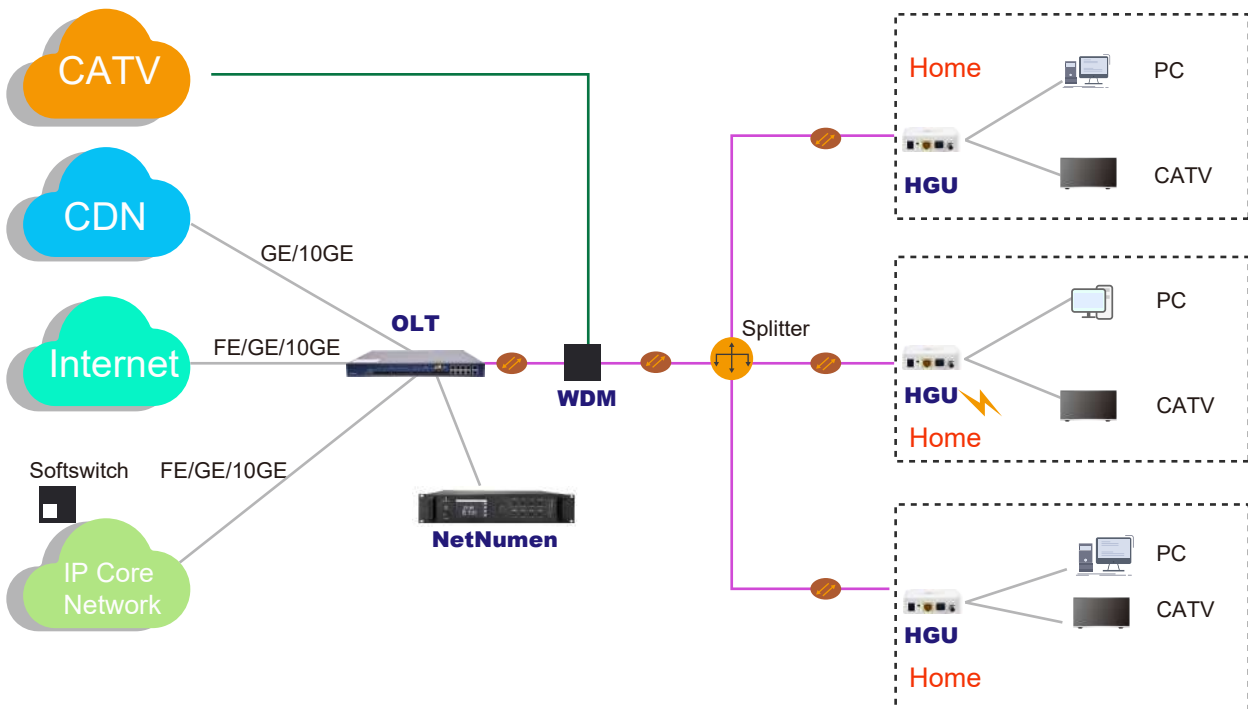
Interface :



• Compatible with OLT Huawei/ ZTE/Fiberhome

- CATV
- LAN
- RESET
- DC
- PON

Application Scenario



Company Introduction

Shenzhen Baitong Putian Technology Co., Ltd. has more than 10 years experience in fiber optical equipment industry since from 2008, specializes in the research and development of optical access network technology especially ONU and OLT. It provides integrated network transmission products such as voice, data, and video based on IP networks.

Service Support:

- Fully understand the needs of customers, and create value for customers with advanced technology, considerate service, and tailor-made solutions.
- Provides customers with a full range of after-sales service and technical support, and strive to create value for customers.

Company Mission:

- Fight for Access the world

Shenzhen Baitong Putian Technology Co., Ltd.

- 🌐 Website: www.bt-pon.com
- ✉ Email: marketing@bt-pon.com
- 📍 Address: 3rd Floor, Building B, Honghua Technology Innovation Park, Laowei First Industrial Zone, Longhua District, Shenzhen, China

